

YOUGAO 友高

Coding Conveyor



Coding Conveyor

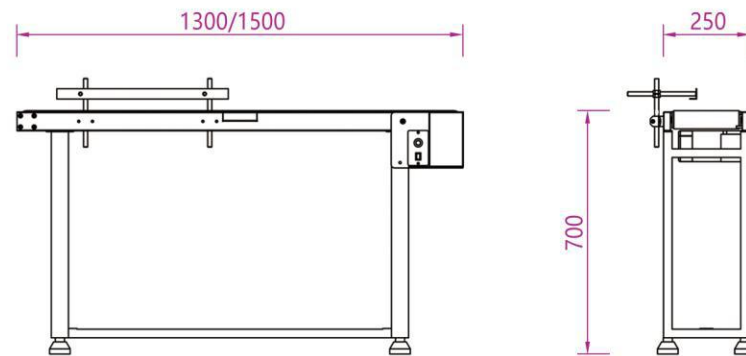
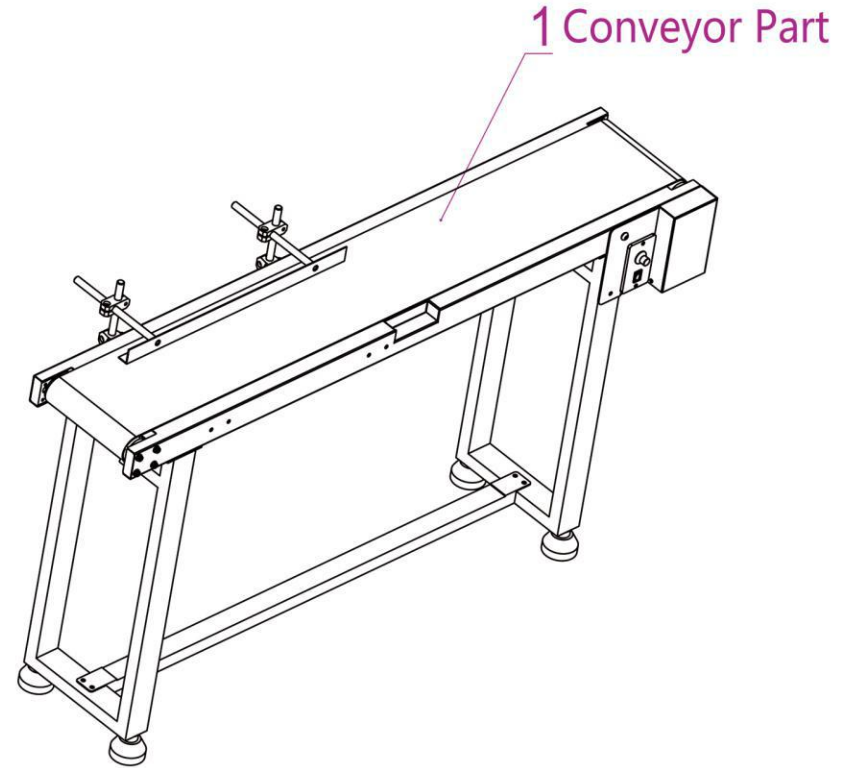


B6 / B6PLUS



Product Parameter >>

Type	B6	B6PLUS
Size (mm)	1300*250*700	1500*250*700
Main Material	201 Stainless Steel	
Locate Mode	One side adjustable baffle	
Voltage	220V	
Power	60W	
Speed Regulation	Electronic Type	
Speed	5-25m/min	



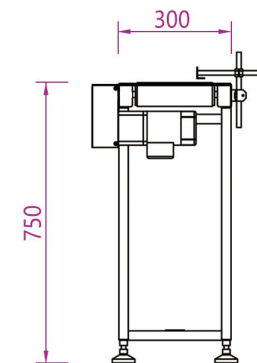
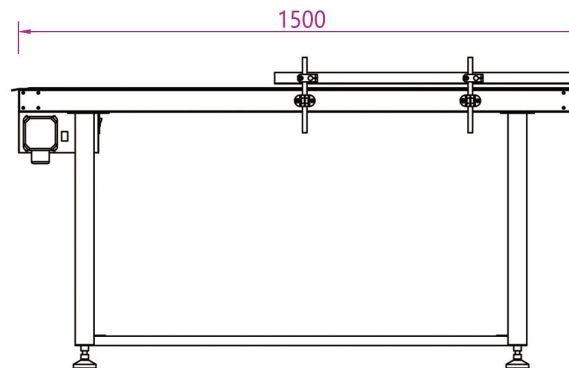
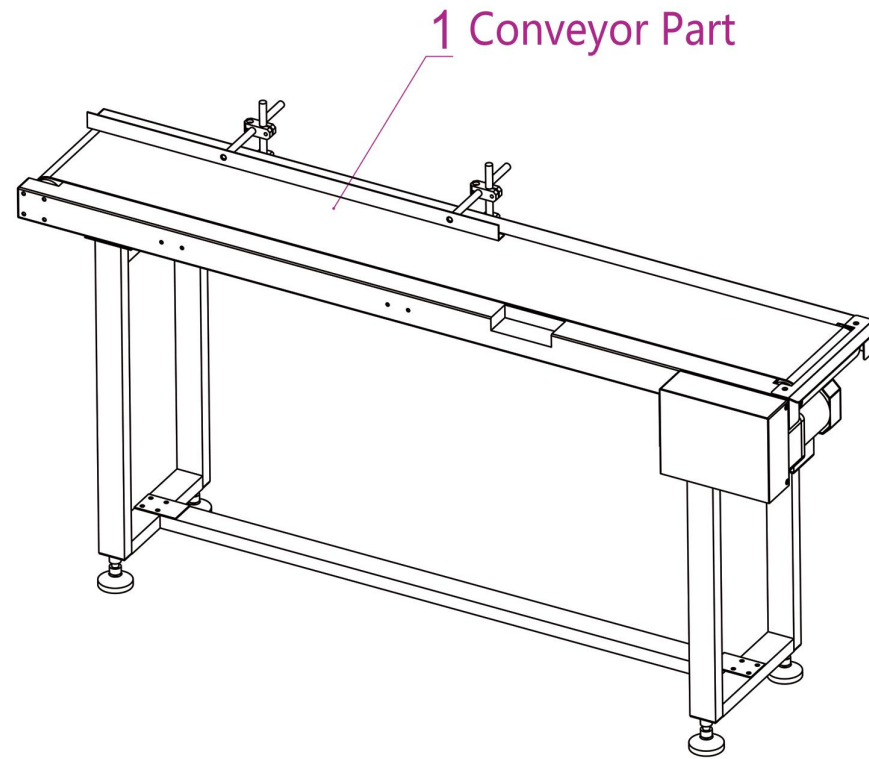
Coding Conveyor

YG-SP08



Product Parameter >>

Type	YG-SP08
Size (mm)	1500*300/200*750
Main Material	Stainless Steel
Locate Mode	One side adjustable baffle
Voltage	220V
Power	60W
Speed Regulation	Electronic Type
Speed	5-28m/min



Coding Conveyor

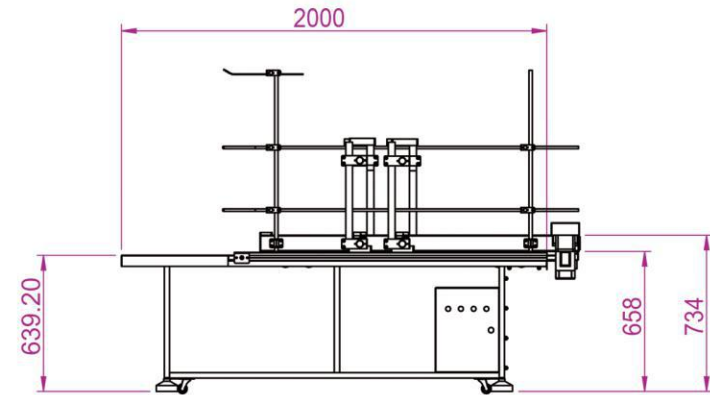
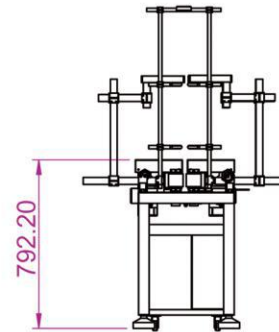
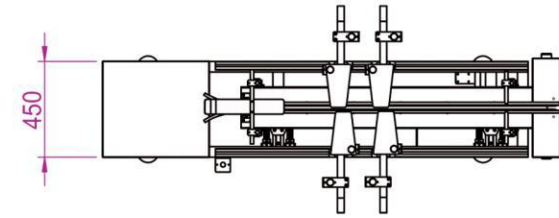
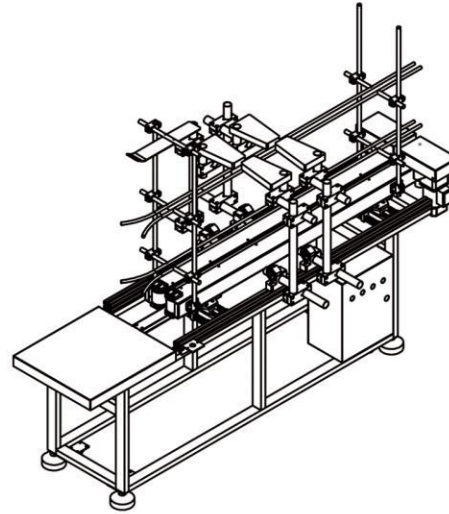


YG-SP02 CARTON CONVEYOR



Product Parameter >>

Type	YG-SP02 CARTON CONVEYOR
Size (mm)	2000*450*750
Main Material	Stainless Steel
Locate Mode	double side adjustable baffle
Voltage	220V
Power	120W+120W
Speed Regulation	Variable frequency type
Speed	5-45m/min,30pcs/min
Suitable range	300mm*250mm(min) 910mm*800mm(max)



Coding Conveyor



YG-SP02 Double Frequency Conveyor



Product Parameter >>

Type	YG-SP02 Double Frequency Conveyor
Size (mm)	1500*300*850
Main Material	Stainless Steel
Locate Mode	double side adjustable baffle
Voltage	220V
Power	60W+60W
Speed Regulation	Double variable frequency type
Speed	5-45m/min,30pcs/min
Suitable range	300mm*250mm(min) 910mm*800mm(max)

