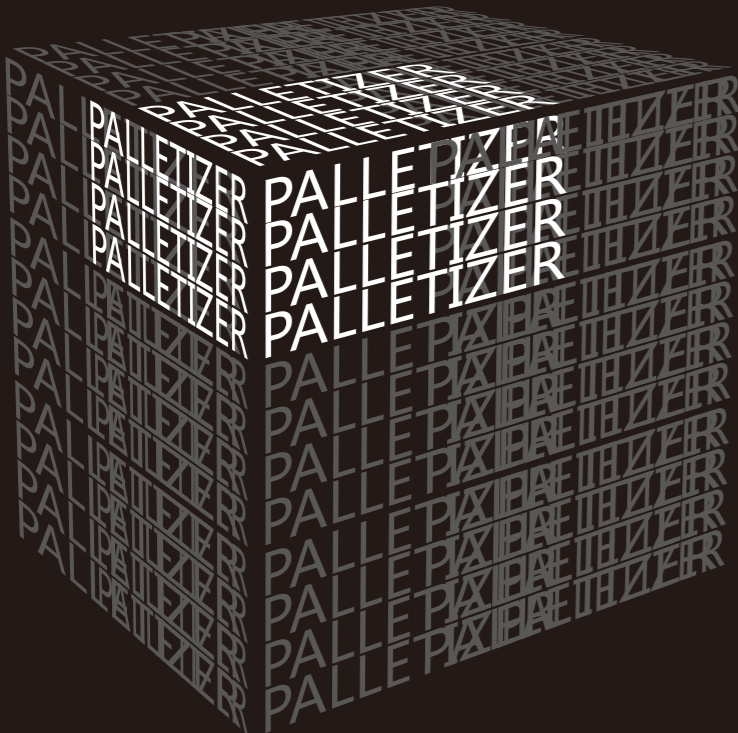
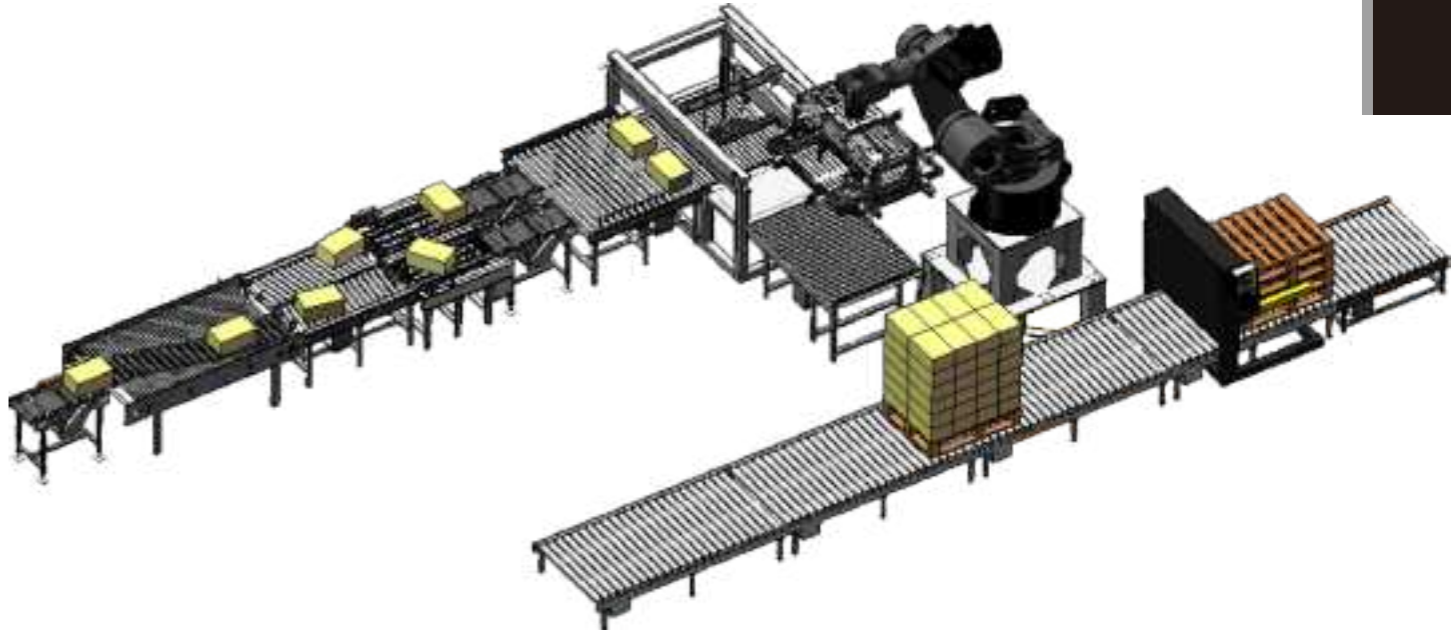


Palletizer



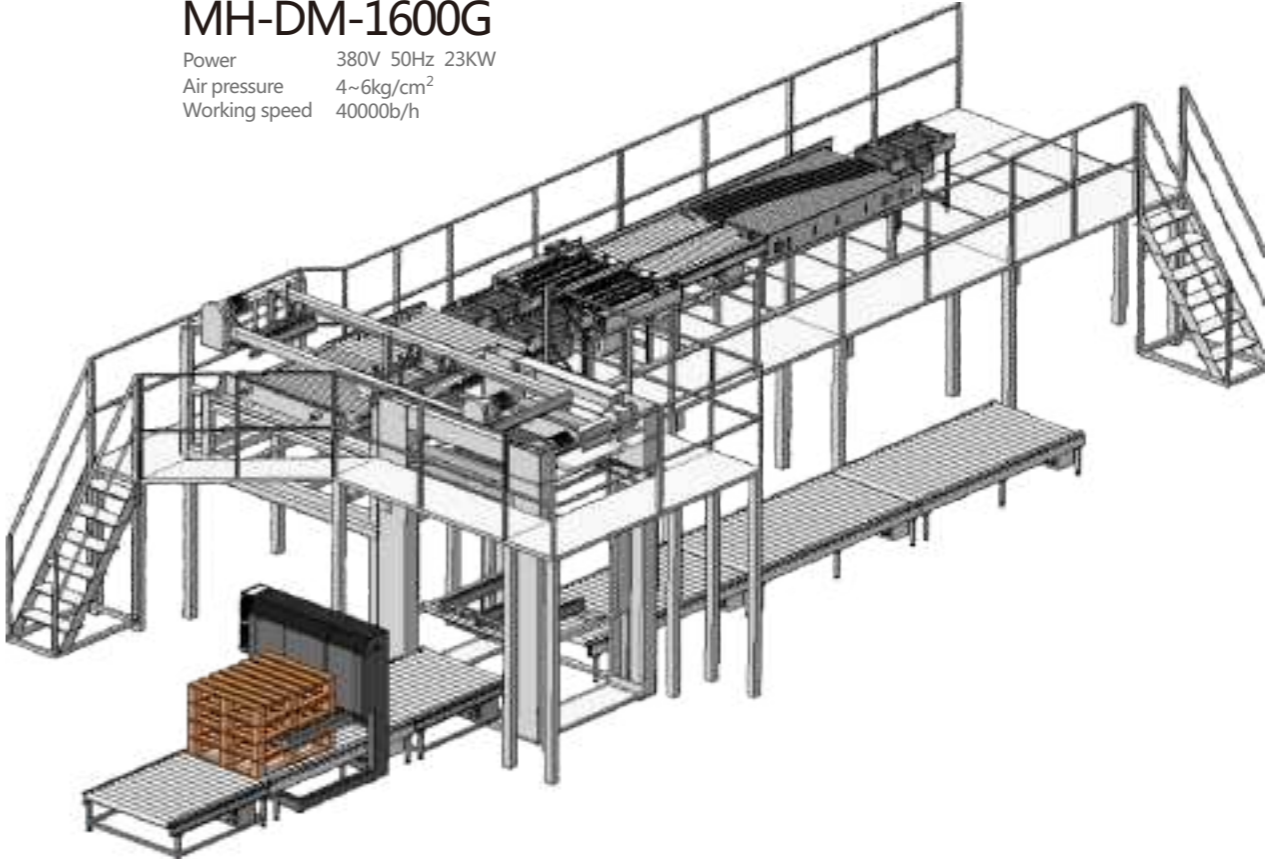
KR360 450-2PA

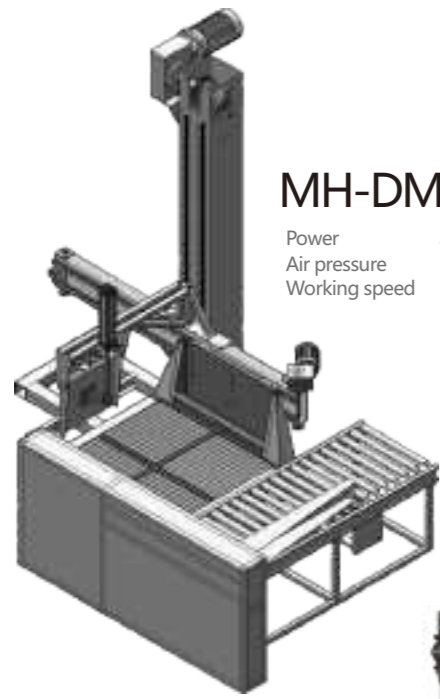
Power 380V 50Hz 22.5KW
Air pressure 4~6kg/cm²
Working speed 40000b/h



MH-DM-1600G

Power 380V 50Hz 23KW
Air pressure 4~6kg/cm²
Working speed 40000b/h



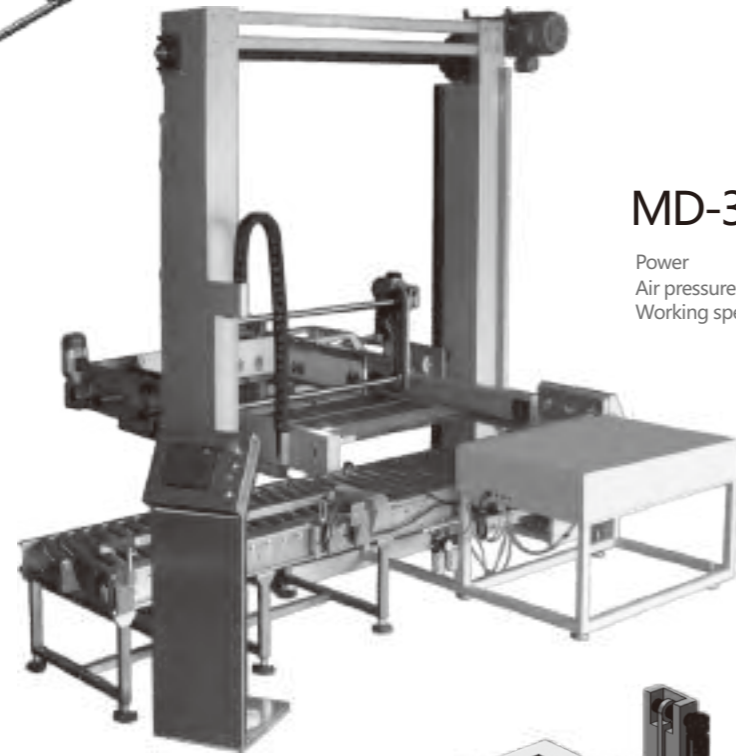
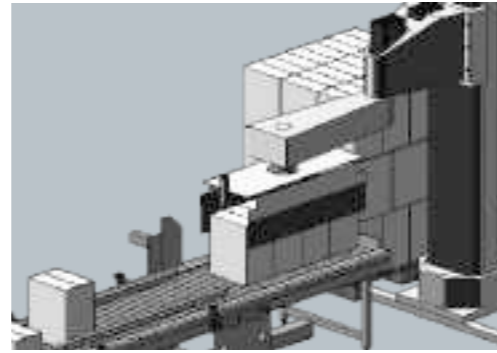


MH-DM-1400

Power 380V 50Hz 5KW
Air pressure 3~6kg/cm²
Working speed 14cases/min

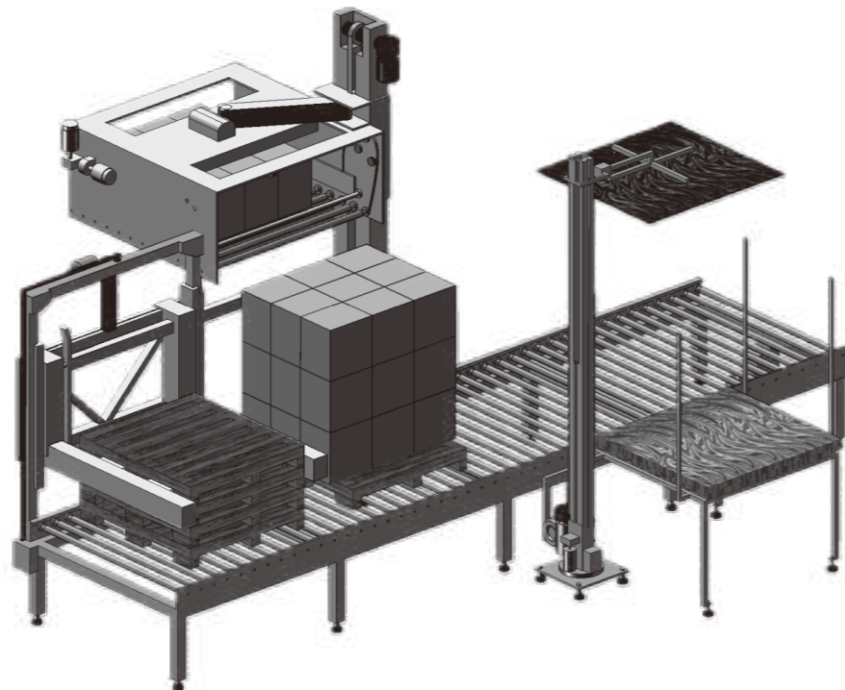
MD-65T

Power 380V 50Hz 10KW
Air pressure 3~6kg/cm²
Working speed 65cases/min



MD-35T

Power 380V 50Hz 9KW
Air pressure 3~6kg/cm²
Working speed 35cases/min

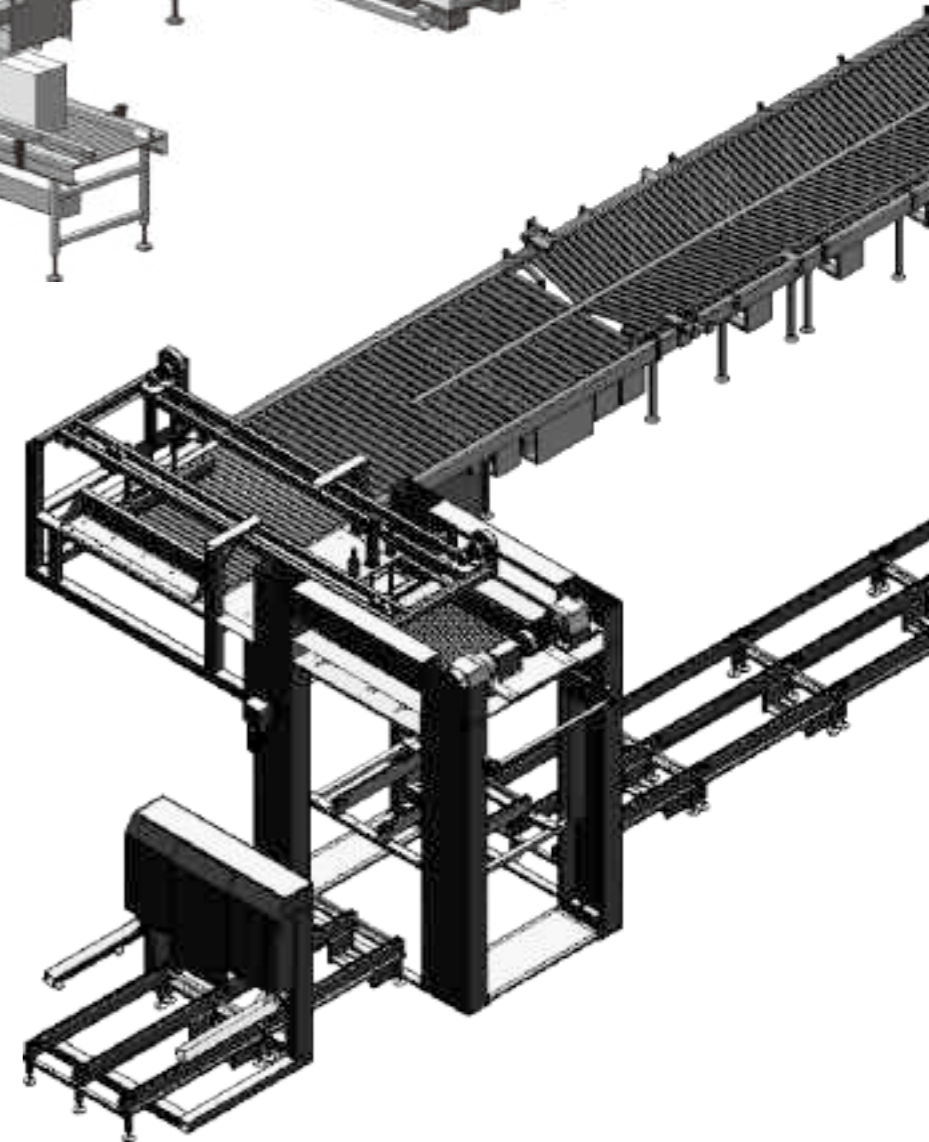
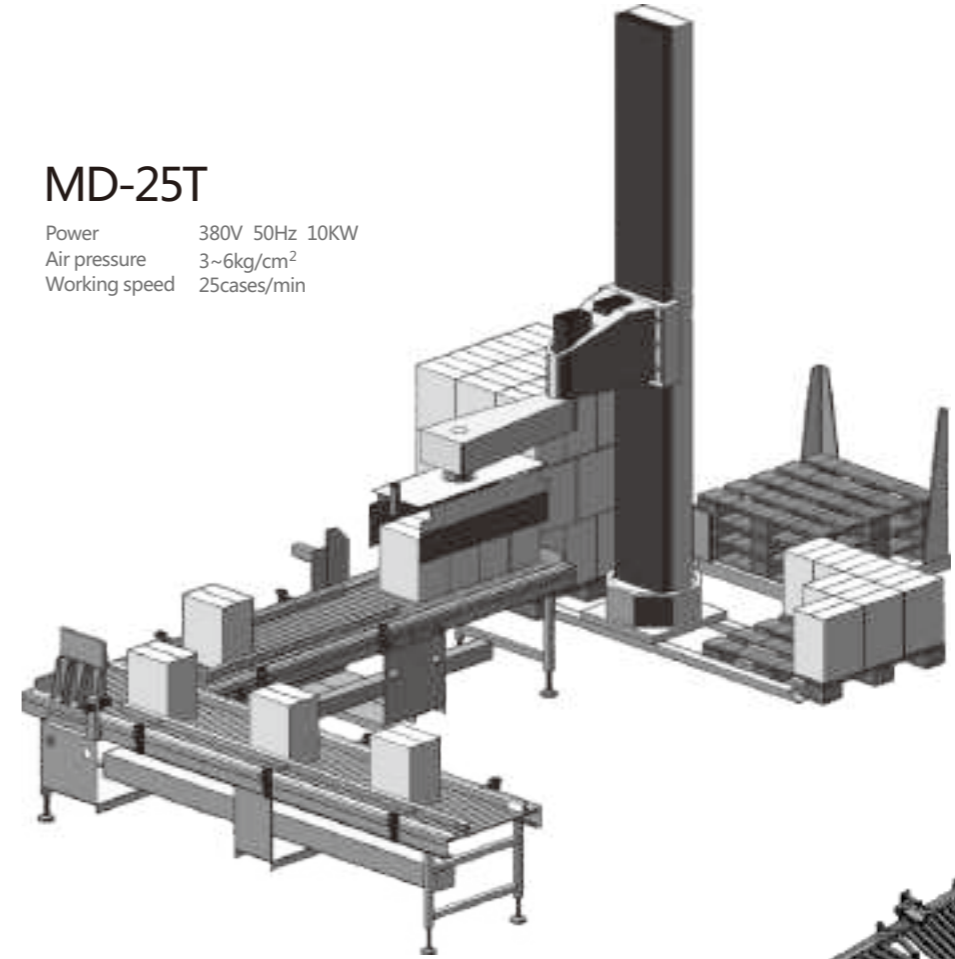


MD-45T

Power 380V 50Hz 5KW
Air pressure 3~6kg/cm²
Working speed 45cases/min

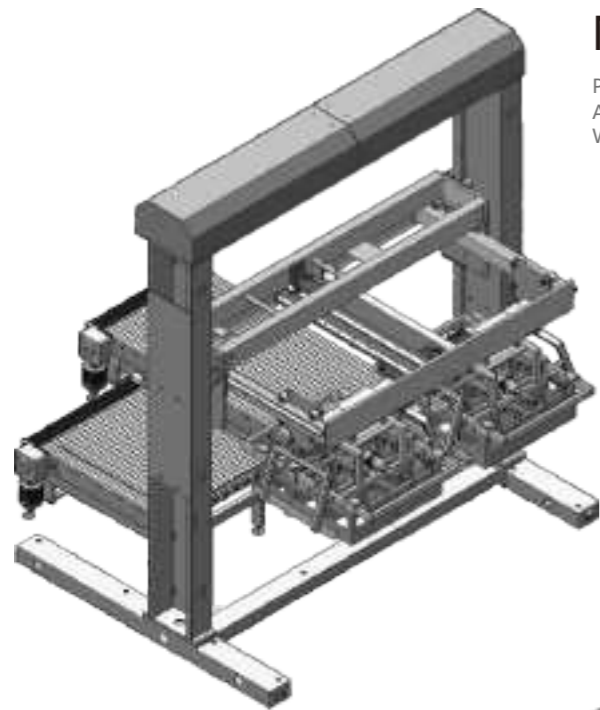
MD-25T

Power 380V 50Hz 10KW
Air pressure 3~6kg/cm²
Working speed 25cases/min



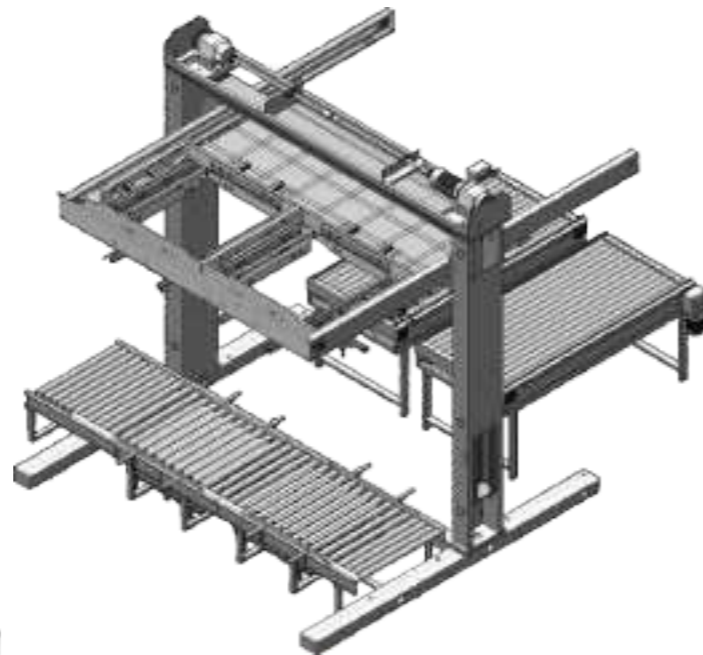
MD-100T

Power 380V 50Hz 12KW
Air pressure 3~6kg/cm²
Working speed 100cases/min



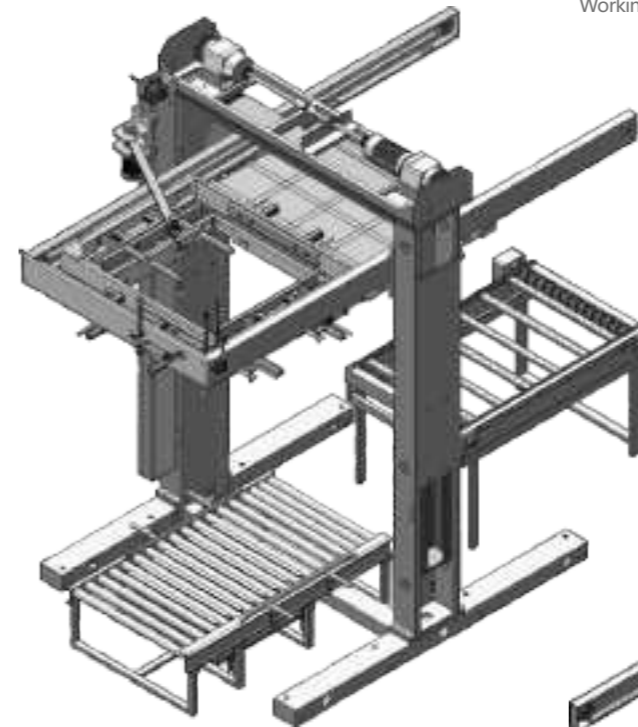
MH-DM-1600S

Power 380V 50Hz 17.55KW
 Air pressure 4~6kg/cm²
 Working speed 40000b/h



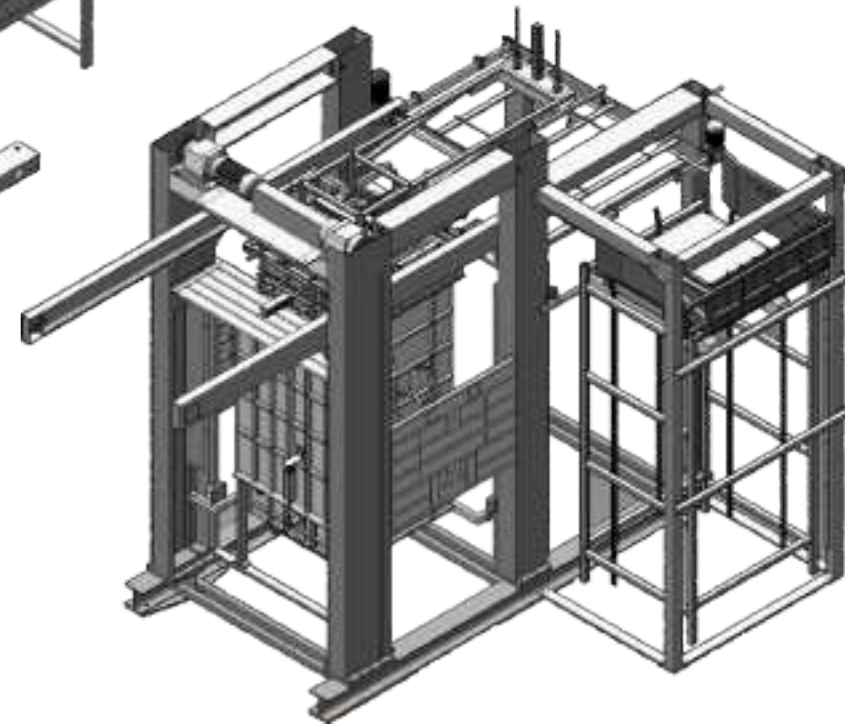
MH-XP-1600DS

Power 380V 50Hz 18.02KW
 Air pressure 4~6kg/cm²
 Working speed 36000b/h



MH-XP-1600D

Power 380V 50Hz 18KW
 Air pressure 4~6kg/cm²
 Working speed 24000b/h

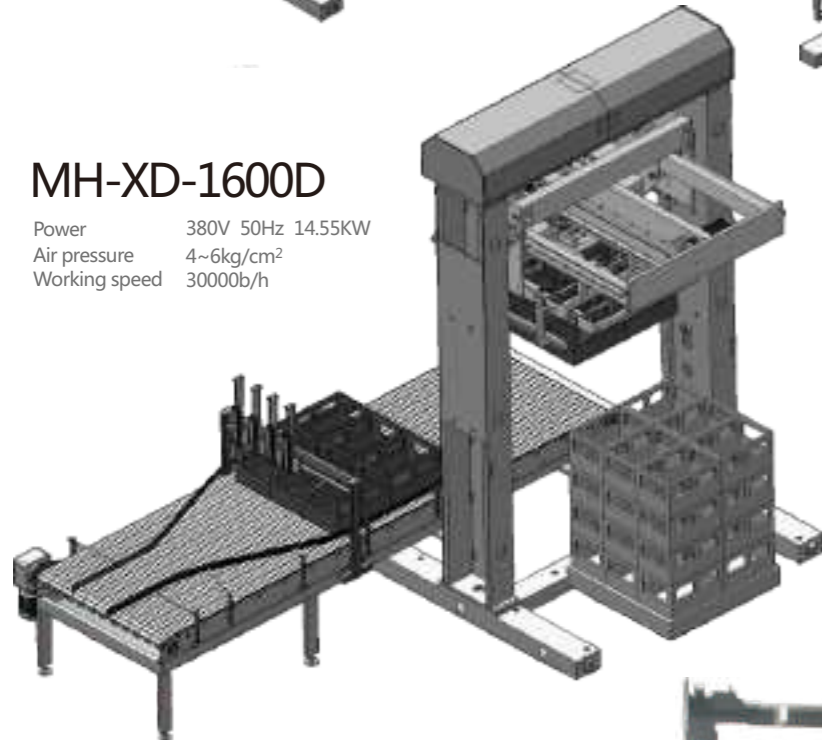


MH-XP-1600G

Power 380V 50Hz 17.75KW
 Air pressure 4~6kg/cm²
 Working speed 36000b/h

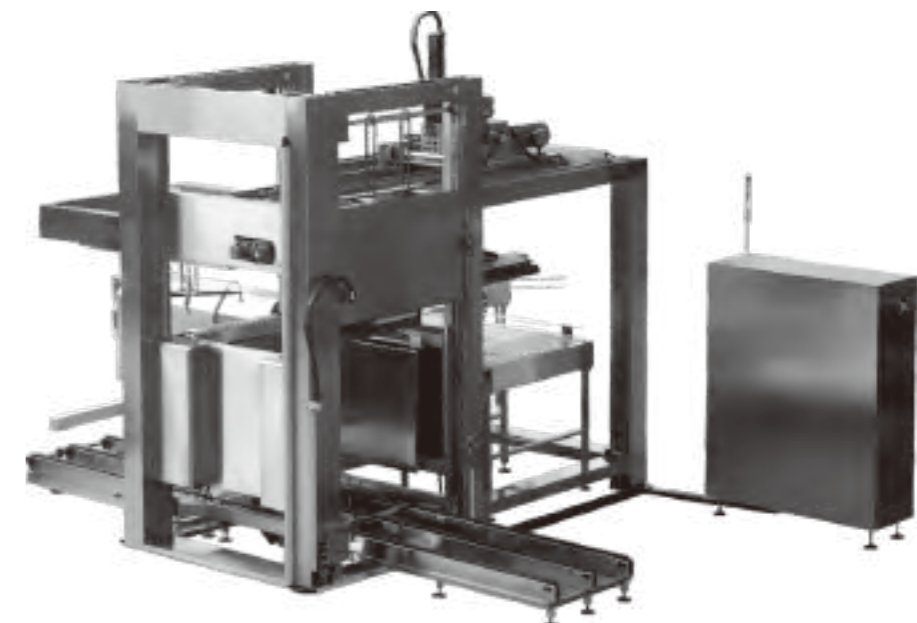
MH-XD-1600D

Power 380V 50Hz 14.55KW
 Air pressure 4~6kg/cm²
 Working speed 30000b/h



XD-25P Bottle unloader

Power 380V 50Hz 9KW
 Air pressure 3~6kg/cm²
 Working speed 25000Bottle/hours



XD-100T Bottle unloader

Power 380V 50Hz 9KW
 Air pressure 3~6kg/cm²
 Working speed 100cases/min

