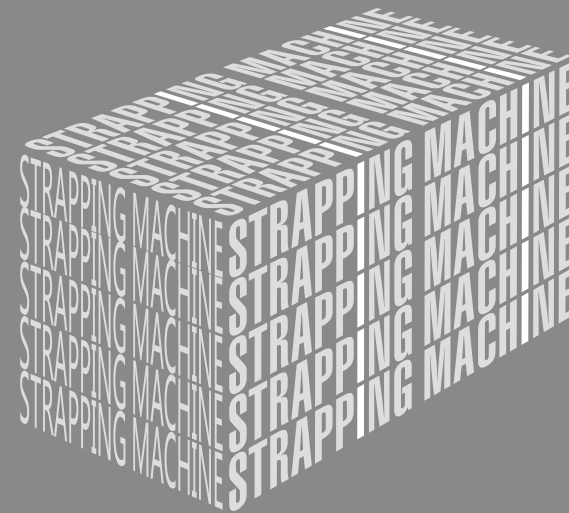


# Strapping Machine



## YS-A1

### Semi-automatic Strapping Machine

Model	YS-A1
Power supply	380V 50HZ
Packing speed	<=1.5second/cycle
Min.package size	60mm
Max.package size	Unlimited
Max.tension force	35kgs
Applicable belt width	6mm-15mm
Driving motor	Single-phase1/4HP
Size(LxMxH)	895x565x735mm
Net weight	30kgs
Gross weight	70kgs
Specification of paper core	200mm Dia.200mm
G.W/N.W	70kg/30kg



## YS-201

### Automatic Strapping Machine

Model	YS-201
Power supply	380V 50HZ 750W 5A
Packing speed	<=2.5second/cycle
Table height	750mm
Frame size	Width 800mm,height depending on actual conditions
Packing type	Parallel 1~several packing strips; in type of order to pack, manual operation, continual packing, ball switch and foot switch.
Applicable straps	Thickness(0.55~1.2)mm, width(9~15)mm
Electric appliances adopted	French "TE", Japanese "OMRON" and "ZIK" available to pack normal goods.



## YS-305C

### Full-automatic Strapping Machine

Model	YS-305C
Power supply	AC 220V 600W
Packing speed	55 cycles a minute
Frame size	Width 600mm,height depending on actual conditions
Packing type	Parallel 1~several packing strips; in type of order to pack, manual operation, continual packing, ball switch and foot switch.
Applicable straps	Thickness(0.45~0.55)mm, width(5~9)mm
Electric appliances adopted	French "TE", Japanese "OMRON" and "ZIK" available to pack normal goods.

## YS-305N

### Automatic Strapping Machine

Model	YS-305N
Power supply	AC 220V 600W
Packing speed	55 cycles a minute
Table height	850mm
Frame size	Width 600mm,height depending on actual conditions
Packing type	Parallel 1~several packing strips; in type of order to pack, manual operation, continual packing, ball switch and foot switch.
Applicable straps	Thickness(0.45~0.55)mm, width(5~9)mm
Electric appliances adopted	French "TE", Japanese "OMRON" and "ZIK" available to pack normal goods.



## YS-305W

### Automatic Strapping Machine

Model	YS-305W
Power supply	AC 220V 600W
Packing speed	55 cycles a minute
Table height	850mm
Frame size	Width 600mm,height depending on actual conditions
Packing type	Parallel 1~several packing strips; in type of order to pack, manual operation, continual packing, ball switch and foot switch.
Applicable straps	Thickness(0.45~0.55)mm, width(5~9)mm
Electric appliances adopted	French "TE", Japanese "OMRON" and "ZIK" available to pack normal goods.



## YS-305P

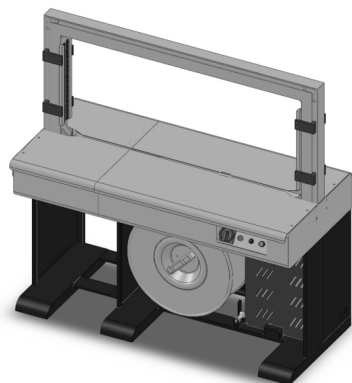
### Full-automatic Strapping Machine

Model	YS-305P
Power supply	AC 380V 1000W
Packing speed	55 cycles a minute
Table height	850mm
Frame size	Width 600mm,height depending on actual conditions
Packing type	Parallel 1~several packing strips; in type of order to pack, manual operation, continual packing, ball switch and foot switch.
Applicable straps	Thickness(0.45~0.55)mm, width(5~9)mm
Electric appliances adopted	French "TE", Japanese "OMRON" and "ZIK" available to pack normal goods.

## YS-309NL

### Automatic Strapping Machine

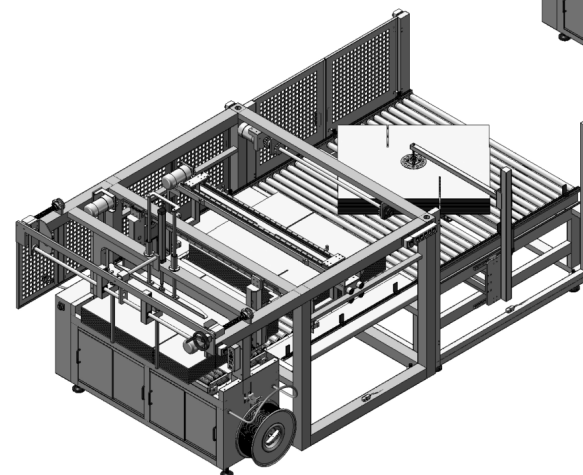
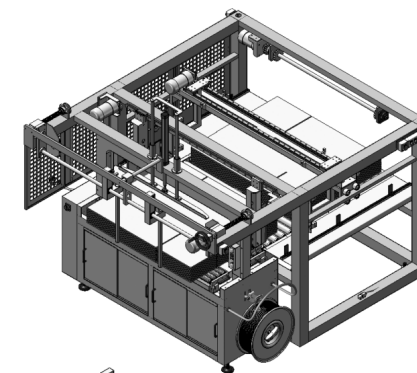
Model	YS-309NL
Power supply	AC220V 600W
Packing speed	35 cycles a minute
Table height	820mm
Frame size	Width 600mm,height depending on actual conditions
Packing type	Parallel 1~several packing strips; in type of order to pack, manual operation, continual packing, ball switch and foot switch.
Applicable straps	Thickness(0.45~0.55)mm, width(9~12)mm
Electric appliances adopted	French "TE", Japanese "OMRON" and "ZIK" available to pack normal goods.



## LX-305

The machine can connect with another packing machine

Model	LX-305
Goods can turn 90 degrees in the machine with automatic cases round up function	
Speed	≥ 15 packs a minute
Strap width	5mm, 6mm, 8mm, 9mm strap
Air pressure	6kg/cm <sup>2</sup>
Power supply	380V/50Hz, 3KW, 3phase 5wire
Goods size(mm)	L1400 x W1200 x H500
Working height	850mm



## YS-SZ90

The machine can connect with another packing machine

Model	YS-SZ90
Turning function (90 degrees)	
Automatic position, it can strap 1-2 cycles	
Single speed	≥ 55 cycles a minute
Strap width	5mm, 6mm, 8mm, 9mm strap
Air pressure	6kg/cm <sup>2</sup>
Power supply	380V/50Hz, 2.6KW, 3phase 5wire
Goods size(mm)	L500 x W500 x H500
Working height	850mm





Article number	Dimension	Sleeve $\varnothing$	Roll length	Tensile strength
5047	5x0.47	200x190mm	7000mm	52kg
6055	6x0.55	200x190mm	4700mm	40kg
8045	8x0.45	200x190mm	4500mm	80kg
8045	8x0.45	200x190mm	4500mm	60kg
9050	9x0.50	200x190mm	4000mm	85kg
9055	9x0.55	200x190mm	3500mm	70kg
10055	10x0.55	200x190mm	2700mm	110kg
10065	10x0.65	200x190mm	2400mm	135kg
12055	12x0.55	200x190mm	2500mm	120kg
12063	12x0.63	200x190mm	2000mm	135kg
15090	15x0.90	200x190mm	1400mm	150kg