

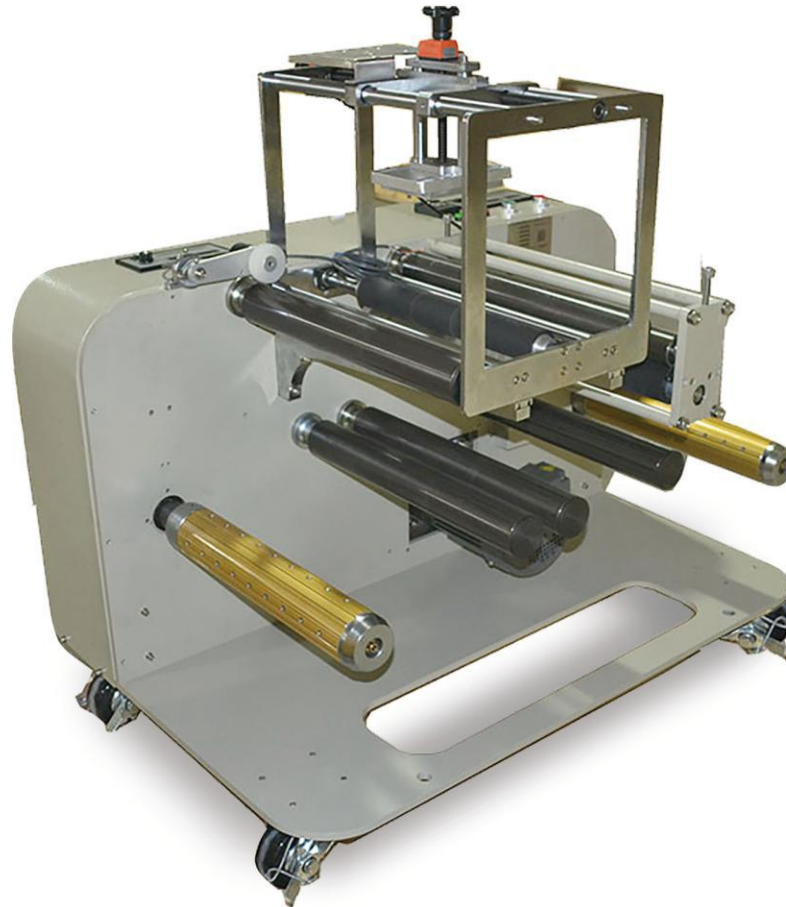
YOUGAO 友高

Rewinding Machine



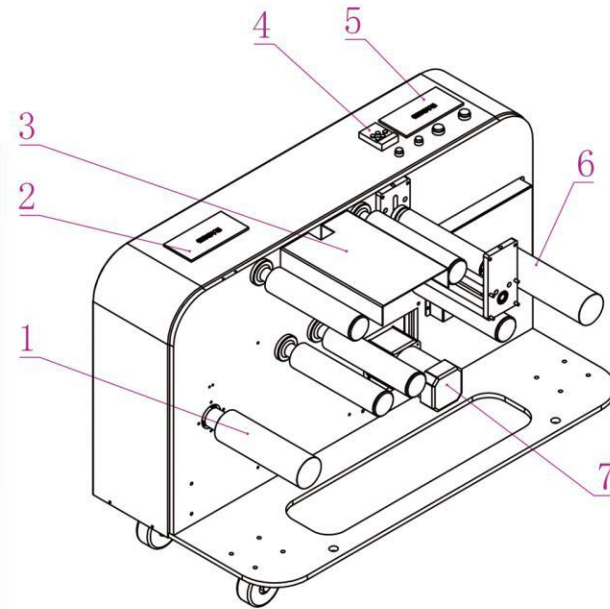
Rewinding Machine

YG-PT05-FJ



Product Parameter >>

Type	YG-PT05-FJ
Size (L*W*H)	1100*610*735mm
Function	Film or self-labeling roll products printing
Application	For film or self-labeling roll products printing
Product Size	Film diameter: $\leq 200\text{mm}$ Film width: $\leq 300\text{mm}$ Maximum film weight: $\leq 20\text{kg}$
Main Material	Carbon Steel Spray
Voltage	220V
Drive Power	Variable Frequency Type
Motor Brand	JSCC
Film Speed	5-30m/Min



1. Air Swelling Shaft For Unwinding
2. Tension Controller
3. Printing Platform
4. Speed Control Plate
5. Tension Controller
6. Air Swelling Shaft For Rewinding
7. Motor

